



## Process Performance Manager

# PROCESS EXTRACTOR SAP-2-PPM SAP ADMINISTRATION

Version 10.2

April 2018

This document applies to PPM Version 10.2 and to all subsequent releases.

Specifications contained herein are subject to change and these changes will be reported in subsequent release notes or new editions.

Copyright © 2000 - 2018 Software AG, Darmstadt, Germany and/or Software AG USA Inc., Reston, VA, USA, and/or its subsidiaries and/or its affiliates and/or their licensors.

The name Software AG and all Software AG product names are either trademarks or registered trademarks of Software AG and/or Software AG USA Inc. and/or its subsidiaries and/or its affiliates and/or their licensors. Other company and product names mentioned herein may be trademarks of their respective owners.

Detailed information on trademarks and patents owned by Software AG and/or its subsidiaries is located at <http://softwareag.com/licenses>.

Use of this software is subject to adherence to Software AG's licensing conditions and terms. These terms are part of the product documentation, located at <http://softwareag.com/licenses> and/or in the root installation directory of the licensed product(s).

This software may include portions of third-party products. For third-party copyright notices, license terms, additional rights or restrictions, please refer to "License Texts, Copyright Notices and Disclaimers of Third Party Products". For certain specific third-party license restrictions, please refer to section E of the Legal Notices available under "License Terms and Conditions for Use of Software AG Products / Copyright and Trademark Notices of Software AG Products". These documents are part of the product documentation, located at <http://softwareag.com/licenses> and/or in the root installation directory of the licensed product(s).

## Contents

1	Text conventions .....	1
2	General .....	2
3	Functioning and requirements .....	3
3.1	Requirements of SAP source systems .....	3
3.2	SAP transport request .....	4
3.3	Architecture .....	5
4	Data extraction .....	6
4.1	Connection parameters.....	6
4.2	SAP event specification.....	6
4.3	Extraction process .....	7
5	Requirements for R/3 source systems .....	11
5.1	R/3 access .....	11
5.2	R/3 function modules .....	11
5.3	R/3 user .....	12
5.4	R/3 table indices.....	13
5.5	Initializing a number range .....	14
5.6	Check installation using PPM Customizing Toolkit .....	14

## 1 Text conventions

Menu items, file names, etc. are indicated in texts as follows:

- Menu items, key combinations, dialogs, file names, entries, etc. are displayed in **bold**.
- User-defined entries are shown in **<bold and in angle brackets>**.
- Single-line example texts (for example, a long directory path that covers several lines) are separated by ↵ at the end of the line.
- File extracts are shown in this font format:

`This paragraph contains a file extract.`

## 2 General

This manual provides a general description of the functioning of PPM Process Extractor SAP-2-PPM, an application for extracting data from an SAP R/3 system for use in ARIS Process Performance Manager (PPM). A more detailed product description is available in the **PPM Process Extractors** technical reference.

This guide is not intended to replace user or customizing training. It is a source of reference containing information that supplements the information provided in the manuals and online help. It is designed for SAP administrators.

## 3 Functioning and requirements

PPM Process Extractor SAP-2-PPM is an application that provides a generic interface between SAP and PPM for extracting data.

The generic interface can be used to extract data from any SAP table. Extracted data is written to XML output files in PPM system event format. These files can be imported into PPM using the XML import interface (see **PPM Data Import** technical reference).

PPM Process Extractor SAP-2-PPM does not have to be installed on the same computer as PPM. If data extraction from SAP and the subsequent data import to PPM is to be automated, automatic transfer of the generated XML output files to the PPM server is required.

### 3.1 Requirements of SAP source systems

- A PPM-specific development class has been imported into the SAP system using a transport request (included in the PPM installation medium).
- An R/3 user with system access via Remote Function Call (RFC) and execution privilege for the PPM function modules exists.
- The PPM-specific number range is initialized for the SAP client to be extracted.
- In some cases, additional indices need to be created in the SAP database to improve performance during data extraction or to prevent data extraction being canceled by a timeout in the SAP system.

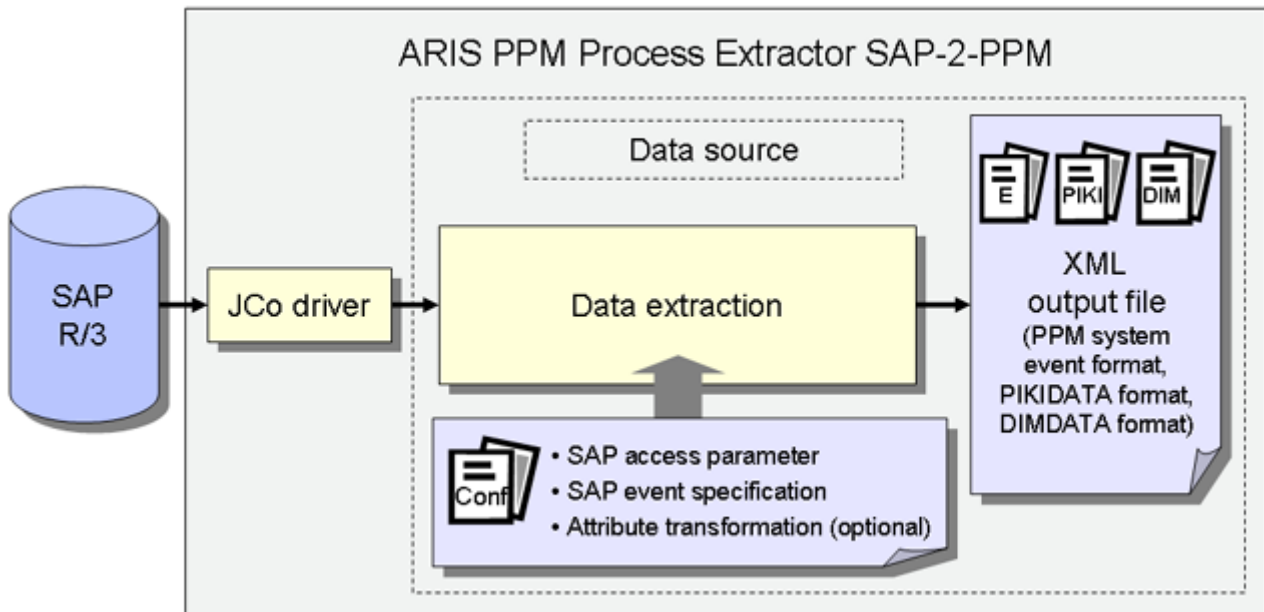
## 3.2 SAP transport request

The following objects are included in the SAP transport request (the extract shows only object types and names):

Request	PPMK900113		Transport of copies		
Short description	Function modules and structures for PPM Process Extractor				
Owner	PPM	Source client	800		
Request status	Released	Target system	DUM		
Object list status	Saved				
<b>Object list</b>					
<b>PgmID</b>	<b>Obj</b>	<b>Object name</b>	<b>Lang</b>	<b>Funct.</b>	<b>ObjStatus</b>
R30B	NROB	/IDS/PPMR		<input type="checkbox"/>	
R3TR	AUTH	/IDS/PPMFN		<input type="checkbox"/>	
R3TR	AUTH	/IDS/PPMMD		<input type="checkbox"/>	
R3TR	DEVC	/IDS/PPM		<input type="checkbox"/>	
R3TR	DOMA	/IDS/PPM_FUNC		<input type="checkbox"/>	
R3TR	DOMA	/IDS/PPM_MODUL		<input type="checkbox"/>	
R3TR	DTEL	/IDS/PPM_FUNC		<input type="checkbox"/>	
R3TR	DTEL	/IDS/PPM_MODUL		<input type="checkbox"/>	
R3TR	FUGR	/IDS/PPM		<input type="checkbox"/>	
R3TR	PROG	/IDS/PPMSUBMIT		<input type="checkbox"/>	
R3TR	PROG	/IDS/PPMVORLAGE		<input type="checkbox"/>	
R3TR	PROG	/IDS/PPMVORLAGE2		<input type="checkbox"/>	
R3TR	TABL	/IDS/INDX		<input type="checkbox"/>	
R3TR	TABL	/IDS/PPM1024		<input type="checkbox"/>	
R3TR	TABL	/IDS/PPM128		<input type="checkbox"/>	
R3TR	TABL	/IDS/PPM256		<input type="checkbox"/>	
R3TR	TABL	/IDS/PPM512		<input type="checkbox"/>	
R3TR	TABL	/IDS/PPM64		<input type="checkbox"/>	
R3TR	TABL	/IDS/PPM_FIELDS_OP		<input type="checkbox"/>	

### 3.3 Architecture

The figure below illustrates the functionality of PPM Process Extractor SAP-2-PPM:



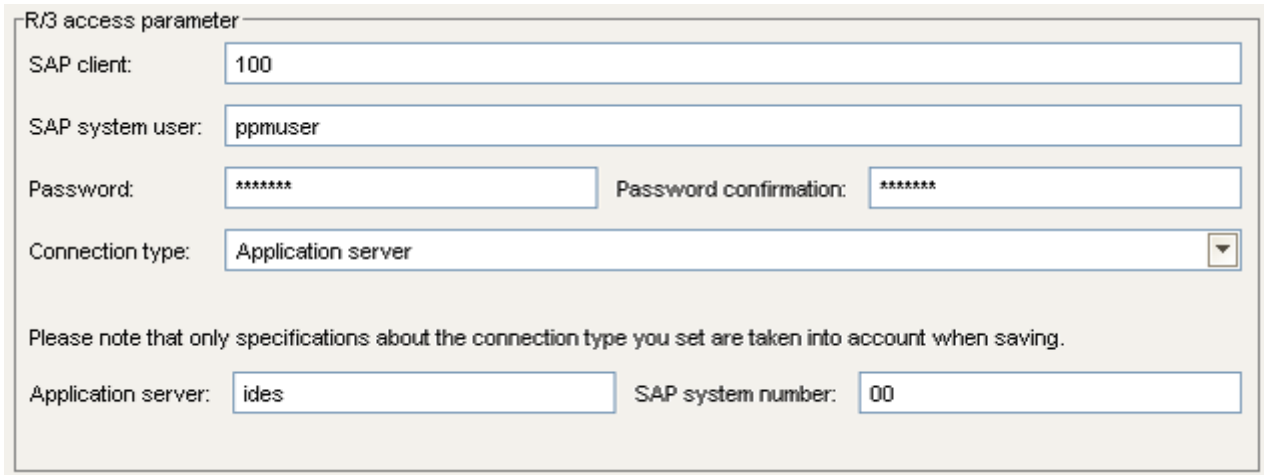
The SAP Java Connector (SAP JCo) is used to establish the connection to the SAP system using SAP access parameters. Data is then extracted from the SAP tables in accordance with the SAP event specification. Finally, an optional attribute transformation takes place and the data is output to XML files in a PPM-compatible output format.



## 4 Data extraction

### 4.1 Connection parameters

For data extraction, it is first necessary to specify the SAP access parameters. The connection to an SAP system can be established directly to the application server, via a message host or via a gateway server. The following is an example of a direct connection to the application server:



The screenshot shows a dialog box titled "R/3 access parameter" with the following fields and values:

- SAP client: 100
- SAP system user: ppmuser
- Password: \*\*\*\*\*
- Password confirmation: \*\*\*\*\*
- Connection type: Application server (selected in a dropdown menu)
- Application server: ides
- SAP system number: 00

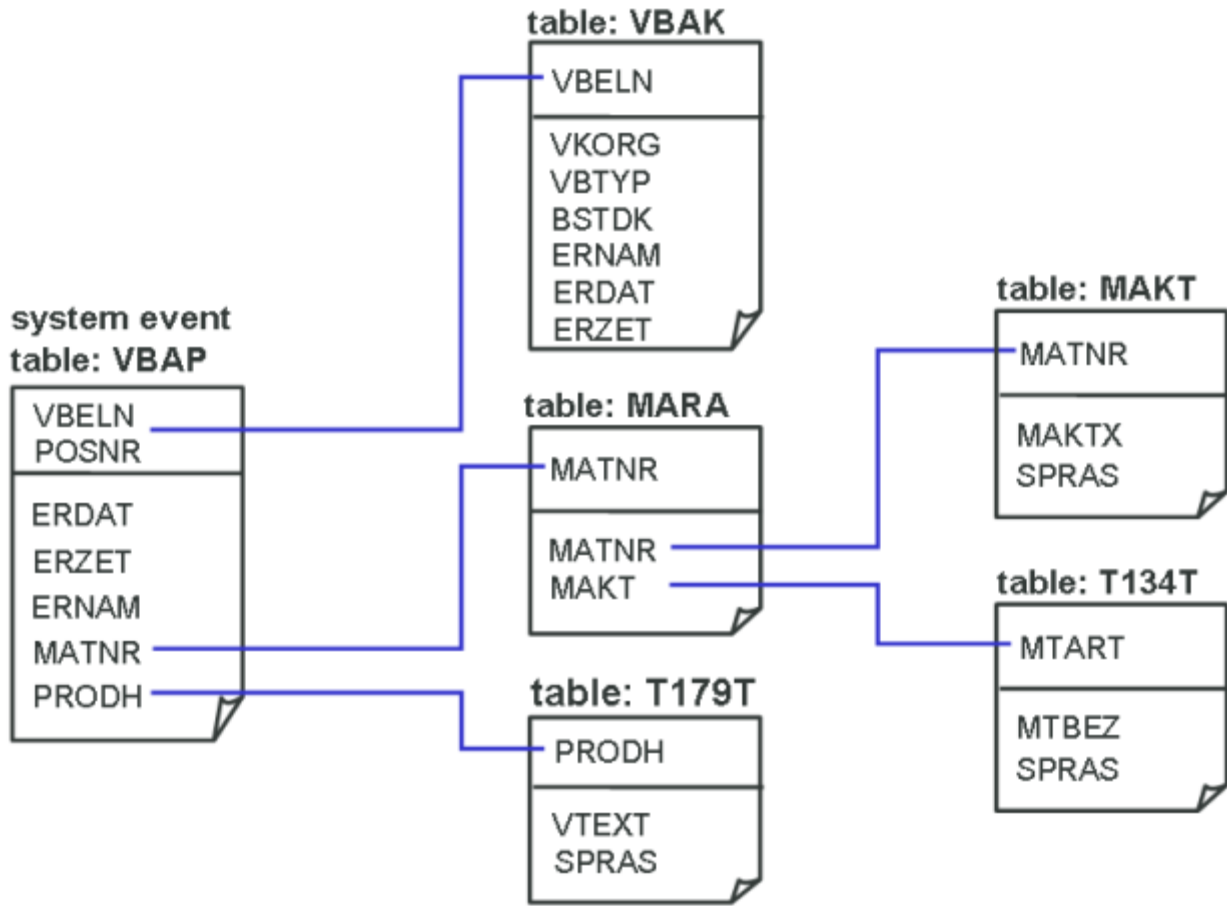
Below the fields, there is a note: "Please note that only specifications about the connection type you set are taken into account when saving."

### 4.2 SAP event specification

The data tables of the SAP system are extracted using SAP Java Connector (SAP JCo). In an XML file, you configure the settings concerning the rows and fields to be extracted from which tables. This file can be created and edited manually but should ideally be created using PPM Customizing Toolkit (CTK), which provides a graphical user interface for creating and editing the configuration. The tables to be extracted depend on the processes to be measured and analyzed using PPM and are specified in a workshop.

### 4.3 Extraction process

The illustration below shows an example data model of a data extraction.



You need to define a table for which a PPM system event is to be generated for each data row read. In our example, a PPM system event is to be generated for each sales document item created or modified in January 2006 and contained in the VBAP SAP table. In addition, for each sales document item, the corresponding rows and fields from the other tables are to be extracted. The associated configuration in CTK or XML looks like this:

The screenshot shows the configuration interface for defining a table and system event. The 'Data source' is 'SALES\_ITEMS'. The 'Table selection' tab is active, showing a list of tables under 'Defined source system attributes'. The 'System event' tab is also visible. The 'Transformation' tab shows 'Extract conditions for source system attributes' with a key icon and a pencil icon, indicating a configuration step. The conditions are: 'System event key fields' (VBAP - VBELN, VBAP - POSNR) and 'System event table fields to be extracted' (ERDAT creationtimestamp 'yyyyMMdd' OR AEDAT creationtimestamp 'yyyyMMdd').

```
<docspec>
  <doctable name="VBAP">
    <booleancondition logicaloperator="OR">
      <condition logicaloperator="creationtimestamp"
        fieldname="ERDAT">
        <value>yyyyMMdd</value>
      </condition>
      <condition logicaloperator="creationtimestamp"
        fieldname="AEDAT">
        <value>yyyyMMdd</value>
      </condition>
    </booleancondition>
    <pkfield name="VBELN" />
    <pkfield name="POSNR" />
  </doctable>
</docspec>
<table name="VBAP">
  <pkfield name="VBELN" fktablename="VBAP"
    fkfieldname="VBELN"/>
  <pkfield name="POSNR" fktablename="VBAP"
    fkfieldname="POSNR"/>
  <fieldtoread name="ERDAT" />
  <fieldtoread name="ERZET" />
</table>
```

```
<fieldtoread name="ERNAM" />
<fieldtoread name="AEDAT" />
<fieldtoread name="MATNR">
  <textref tablename="MAKT" reffieldname="MATNR"
    textfieldname="MAKTX" langfieldname="SPRAS" />
</fieldtoread>
<fieldtoread name="PRODH">
  <textref tablename="T179T" reffieldname="PRODH"
    textfieldname="VTEXT" langfieldname="SPRAS" />
</fieldtoread>
</table>
<table name="VBAK">
  <pkfield name="VBELN" fktablename="VBAP"
    fkfieldname="VBELN" />
  <fieldtoread name="VKORG" />
  <fieldtoread name="VB Typ" />
  <fieldtoread name="BSTDK" />
  <fieldtoread name="ERNAM" />
  <fieldtoread name="ERDAT" />
  <fieldtoread name="ERZET" />
</table>
<table name="MARA">
  <pkfield name="MATNR" fktablename="VBAP"
    fkfieldname="MATNR" />
  <fieldtoread name="MTART">
    <textref tablename="T134T" reffieldname="MTART"
      textfieldname="MTBEZ" langfieldname="SPRAS" />
  </fieldtoread>
</table>
```

The first query generated by PPM Process Extractor SAP-2-PPM and executed in the SAP system looks like this:

```
SELECT vbeln, posnr FROM vbap WHERE (erdat >= 20060101 AND erdat <= 20060131) OR (aedat
>= 20060101 AND aedat <= 20060131)
```

As the VBAP table is normally very large, we recommend that you create the following two database indices to prevent a full table scan of the database and thus speed up the extraction process:

- MANDT, ERDAT
- MANDT, AEDAT

Once the key fields of the source system event have been extracted from the VBAP table, the other fields are extracted from the VBAP table or the other tables and added to the source system event. In our example, data is extracted from these tables using simple foreign key relationships. The corresponding query, for example, executed to extract the fields from the VBAK table, looks like this:

```
SELECT vbeln, vkorg, vbtyp, bstdk, ernam, erdat, erzet FROM vbak WHERE vbeln in (...)
```

The source system event, which is extracted using the above event specification, can look like this:

```
<event>
  <attribute type="MARA-MTART">HAWA</attribute>
  <attribute type="MARA-MTART-MTBEZ">Trading goods
</attribute>
  <attribute type="VBAK-BSTDK">19970306</attribute>
  <attribute type="VBAK-ERDAT">19970306</attribute>
  <attribute type="VBAK-ERNAM">BOLLINGER</attribute>
  <attribute type="VBAK-ERZET">091423</attribute>
  <attribute type="VBAK-VGTYP"></attribute>
  <attribute type="VBAK-VKORG">1000</attribute>
  <attribute type="VBAP-AEDAT">20020117</attribute>
  <attribute type="VBAP-ERDAT">19970306</attribute>
  <attribute type="VBAP-ERNAM">BOLLINGER</attribute>
  <attribute type="VBAP-ERZET">091423</attribute>
  <attribute type="VBAP-MATNR">DPC1009</attribute>
  <attribute type="VBAP-MATNR-MAKTX">
    Standard Keyboard - EURO Model
  </attribute>
  <attribute type="VBAP-POSNR">000020</attribute>
  <attribute type="VBAP-PRODH">001250010000000135</attribute>
  <attribute type="VBAP-VBELN">0000005056</attribute>
</event>
```

## 5 Requirements for R/3 source systems

To extract data from an R/3 system using PPM Process Extractor SAP-2-PPM, the R/3 system must meet the following requirements:

- PPM-specific function modules are available.
- An R/3 user with system access via Remote Function Call (RFC) and execution privilege for the PPM function modules exists.
- In some cases, additional indices need to be created in the R/3 database.
- The PPM-specific number range is initialized for the R/3 client to be extracted. For data extraction, it is necessary to create a program that executes the ABAP SQL SELECT query. The number range is used to generate a unique program name. The program is deleted immediately after execution.

### 5.1 R/3 access

If PPM Process Extractor SAP-2-PPM is installed on a computer that is protected by a firewall, the corresponding port must be enabled. By default, a port number of the form **3300** plus the **<SAP system number>** used is to be enabled for SAP Java Connector (JCo). For example, if the system number is **03**, the port number **3303** must be enabled.

### 5.2 R/3 function modules

PPM Process Extractor SAP-2-PPM requires specific function modules to access R/3 data.

For the following R/3 systems, Software AG provides an R/3 transport request to be used for importing all required function modules into the R/3 system:

R/3 version	Transport request (file name)
from 4.6	4_6_extractor.zip
from 6.20 of the SAP basic component	640_extractor.zip

Obtain information on the release version of the SAP system that you will extract data from and import the matching transport request in line with the data provided in the table above. Only one transport request is to be imported.

The files with the transport request are located under `<installation directory>\ppm\server\bin\agentLocalRepo\unpacked\<installation_time>_ppm-client-run-pr od-<version>-runnable.zip\ppm\sap2ppm\SAPTransports`.

After importing the function modules, an **/IDS/PPM** development class with the **/IDS/PPM** function group and all necessary structures and function modules is created in the R/3 system.

## 5.3 R/3 user

The R/3 user that PPM Process Extractor SAP-2-PPM uses for access must have the following privileges:

- General RFC privileges
- CPIC authorization
- Unlimited access privilege within the /IDS/PPM development class and execution privilege for the /IDS/PPM\_GENERATE\_TABLE\_ACCESS and /IDS/PPM\_RFC\_READ\_TABLE\_FLOAT function modules contained in the development class.
- Access privilege for the SDIFRUNTIME function group (before R/3 release 4.6D: SDIF) to be able to create programs during runtime for efficient extraction.

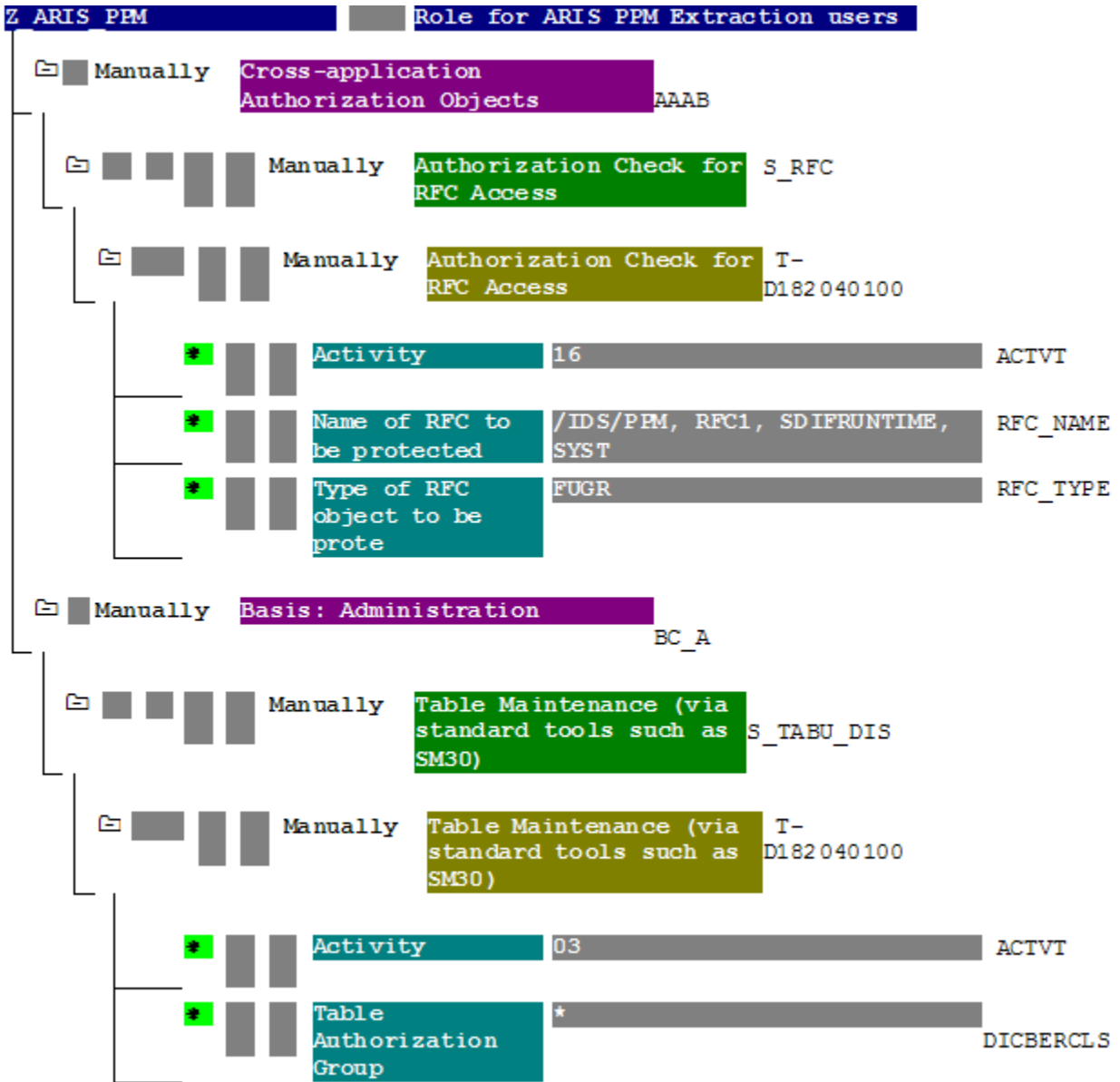
For testing purposes, the user should also have a dialog privilege.

The user must have read privileges for all tables specified in the table configuration. The user also requires read privileges for the tables **TNRO**, **NRIV**, **DD02L**, **DD02T**, **DD03L**, **DD03T**, **DD04T**, **CDHDR**, and **CDPOS**. The read privilege for these tables is necessary because the PPM system verifies the correct installation of the number range and checks whether the configuration of the table fields to be extracted is correct.

Using the **su02** R/3 transaction, you can view and modify the privilege configurations and users assigned to a role. Use the **su01** transaction to display the profiles assigned to a user.

Example

The figure below illustrates an example configuration in the SAP administration component.



### 5.4 R/3 table indices

Extraction can be accelerated by indexing all tables in the R/3 system that are used for an extraction process. At least one index must be created for the creation and change date and, if specified, also for the creation and change time.




## 5.5 Initializing a number range

The R/3 transport (see chapter on R/3 function modules (Page 11)) loaded for the use of PPM Process Extractor SAP-2-PPM creates the **/IDS/PPMR** number range object in the R/3 system which has to be initialized for the R/3 client.

1. Log on to the R/3 system with the client you want to use for extraction.
2. Call up the **SNUM** transaction.
3. Enter **/IDS/PPMR** as the object name.
4. Click **Goto/Number ranges**.
5. Click **Interval/Change**.
6. Click **Edit/Interval**.
7. Enter the following values:  
**Number** input box: Value **1** (without leading zero)  
**From number** input box: Value **000000001**  
**To number** input box: Value **999999999**
8. Confirm your entries.
9. Save the changes.

## 5.6 Check installation using PPM Customizing Toolkit

If PPM Customizing Toolkit (CTK) is installed, you can use the following method to check whether R/3 system requirements are met:

1. Launch CTK, open the corresponding PPM client and switch to the **Data source management** component in the **Client** module.
2. Click the **Edit** button in the toolbar and either select an existing SAP data source or create a new SAP data source with the correct access parameters.
3. Click the **Test system access** button in the toolbar.
4. If a test failed, you can display detailed information using the  **View details** button.
5. If the access data test was successful the result is confirmed with **OK**.